

## General Purpose Solenoid Valves S1074 Series (G1/8", G1/4")

### GENERAL FEATURES

- Wide pressure range, flow rate and orific options.
- Solenoid valves are used with filters.
- Solenoid valves can be mounted in any position without affecting its operation.
- Coil to be used in a vertical position.

### ELECTRICAL CHARACTERISTICS

|                          |   |
|--------------------------|---|
| Continuous Duty          | : ED %100   |
| Coil Insulation Class    | : H (180°C)(IEC 85)   |
| Coil Impregnation        | : Polyester Fiber Glass   |
| Ambient Temperature      | : -10°C, +60°C  |
| Protection Degree        | : IP65 (ISO 60529) On request; IP68   |
| Electric Plug Connection | : DIN 46340 3-Poles Connector (DIN 43650)   |
| Connector Specification  | : ISO 4400 / EN 175301-803 Form A,<br>Spade Plug (Cable Ø6-8 mm)  |
| Electrical Safety        | : IEC 335   |
| Standard Voltages        | : AC 12V 15VA, 24V 15VA, 48V 15VA,<br>110V 15VA, 230V 15VA, 230V 24VA<br>DC 12V 18W, 24V 18W, 48V 18W, 110V 18W |

On request other voltages

Voltages Tolerance : AC -15%, +10% DC -5%, +10%

Frequency : 50 Hz (60 Hz...)

On request; Connector with LED, PWM Socket Specify coil voltage with order

### MATERIALS IN CONTACT WITH FLUID

|                           |                                |
|---------------------------|--------------------------------|
| Body                      | : Brass                        |
| Internal Parts            | : Stainless Steel              |
| Sealing                   | : NBR(On request; EPDM, VITON) |
| Shading Ring              | : Copper (EN 12735-1)          |
| Seats, Core Tube, Springs | : Stainless Steel, Brass       |

### OPTIONS

Female connection: BSP; (On request NPT)

- On request CR-Ni plated, PTFE coated done
- On request Atex (exproof) coil.

### TECHNICAL FEATURES

Max. Viscosity : 5°E (-37cST veya mm<sup>2</sup>/s)

Response Time : Opening time : 400 ms - 1600 ms  
Closing Time : 1000 ms - 2000 ms

### SEALS FEATURES

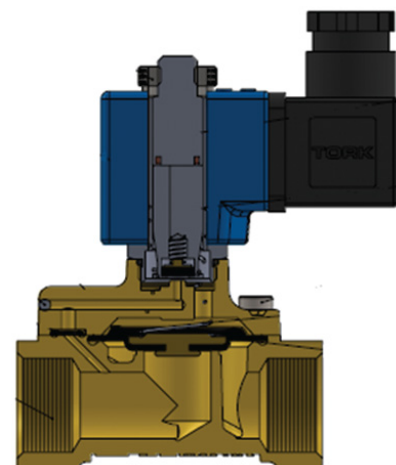
NBR : -10°C...+80°C

EPDM : -10°C...+130°C

VITON : -10°C...+160°C

PTFE : -10°C...+160°C

RUBY : -10°C...+160°C



NORMALLY CLOSED

2/2 OPERATED

PILOT OPERATED

ΔP=0,5



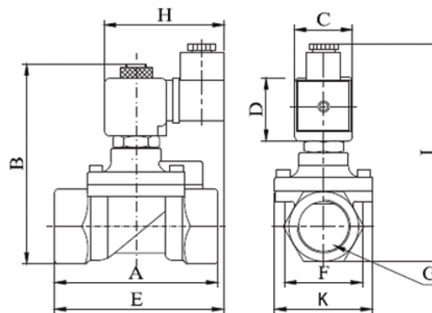
WATER



AIR



GAS



Dimensions (mm)

|      | G  | A  | B  | C  | D    | E    | F  | K  | H   | I |
|------|----|----|----|----|------|------|----|----|-----|---|
| 1/8" | 75 | 97 | 32 | 45 | 91.3 | 37.5 | 52 | 76 | 108 |   |
| 1/4" | 75 | 97 | 32 | 45 | 91.3 | 37.5 | 52 | 76 | 108 |   |

| Coils         | Nominal Values | Cold/ Hot | Inrush | Holding | Current (A) | Surface Temperature (°C) |
|---------------|----------------|-----------|--------|---------|-------------|--------------------------|
| C40012VDC18W  | 12VDC 18W      | COLD      | 19,56  | 19,56   | 1,63        | 20                       |
|               |                | HOT       | 14,52  | 14,52   | 1,21        | 106                      |
| C40024VDC18W  | 24VDC 18W      | COLD      | 20,88  | 20,88   | 0,87        | 25                       |
|               |                | HOT       | 14,64  | 14,64   | 0,61        | 116                      |
| C40110VDC18W  | 110VDC 18W     | COLD      | 19,96  | 19,96   | 0,18        | 23                       |
|               |                | HOT       | 13,56  | 13,56   | 0,123       | 115                      |
| C40012VAC15VA | 12VAC 15VA     | COLD      | 23,81  | 16,43   | 1,3         | 25                       |
|               |                | HOT       | -      | 15,86   | 1,262       | 79                       |
| C40024VAC15VA | 24VAC 15VA     | COLD      | 25,82  | 15,02   | 0,62        | 22                       |
|               |                | HOT       | -      | 13,91   | 0,57        | 81                       |
| C40110VAC15VA | 110VAC 15VA    | COLD      | 30,65  | 15,17   | 0,137       | 24                       |
|               |                | HOT       | -      | 13,96   | 0,126       | 80                       |
| C40230VAC15VA | 230VAC 15VA    | COLD      | 31,4   | 15,64   | 0,068       | 25                       |
|               |                | HOT       | -      | 14,41   | 0,063       | 80                       |
| C40230VAC24VA | 230VAC 24VA    | COLD      | 45,1   | 23,92   | 0,0154      | 23                       |
|               |                | HOT       | -      | 21,62   | 0,0154      | 100                      |

| Solenoid Valve Symbol | Valve Type/ Order No | Connection Size | Orifice Size | Pressure min/max |     | Kv    | Seal |         |      | Weight |    |
|-----------------------|----------------------|-----------------|--------------|------------------|-----|-------|------|---------|------|--------|----|
|                       |                      |                 |              | Bar              | Bar |       | NBR  | Viton   | EPDM |        | kg |
|                       | S1074                | G               | mm           | Bar              | Bar | l/min |      | Opsiyon |      |        |    |
|                       |                      |                 |              |                  |     |       |      | Viton   | EPDM |        |    |
|                       | S1074.00             | 1/8"            | 12.5         | 0.5              | 16  | 48    | ✓    | ✓       | ✓    | 0,74   |    |
|                       | S1074.01             | 1/4"            | 12.5         | 0.5              | 16  | 48    | ✓    | ✓       | ✓    | 0,72   |    |

### STANDARDS

• Standard tube connection G (BSP) (ISO 228-1) and other tube connections (NPT (ANSI 1.20.3)) are available on request.

• TORQ solenoid valves 97/23/EC, are available for pressure equipment directive (PED) and 2006/95/ECC low voltage directive (LVD).

Not: Please look catalogues for more details

## General Purpose Solenoid Valves S1075 Series (G1/8", G1/4")

### GENERAL FEATURES

- Wide pressure range, flow rate and orific options.
- Solenoid valves are used with filters.
- Solenoid valves can be mounted in any position without affecting its operation.
- Coil to be used in a vertical position.

### ELECTRICAL CHARACTERISTICS

|                          |   |
|--------------------------|---|
| Continuous Duty          | : ED %100   |
| Coil Insulation Class    | : H (180°C)(IEC 85)   |
| Coil Impregnation        | : Polyester Fiber Glass   |
| Ambient Temperature      | : -10°C, +60°C  |
| Protection Degree        | : IP65 (ISO 60529) On request; IP68   |
| Electric Plug Connection | : DIN 46340 3-Poles Connector (DIN 43650)   |
| Connector Specification  | : ISO 4400 / EN 175301-803 Form A,<br>Spade Plug (Cable Ø6-8 mm)  |
| Electrical Safety        | : IEC 335   |
| Standard Voltages        | : AC 12V 15VA, 24V 15VA, 48V 15VA,<br>110V 15VA, 230V 15VA, 230V 24VA<br>DC 12V 18W, 24V 18W, 48V 18W, 110V 18W |

On request other voltages

|                    |                              |
|--------------------|------------------------------|
| Voltages Tolerance | : AC -15%, +10% DC -5%, +10% |
| Frequency          | : 50 Hz (60 Hz...)           |

On request; Connector with LED, PWM Socket Specify coil voltage with order

### MATERIALS IN CONTACT WITH FLUID

|                           |                                |
|---------------------------|--------------------------------|
| Body                      | : Brass                        |
| Internal Parts            | : Stainless Steel              |
| Sealing                   | : NBR(On request; EPDM, VITON) |
| Shading Ring              | : Copper (EN 12735-1)          |
| Seats, Core Tube, Springs | : Stainless Steel, Brass       |

### OPTIONS

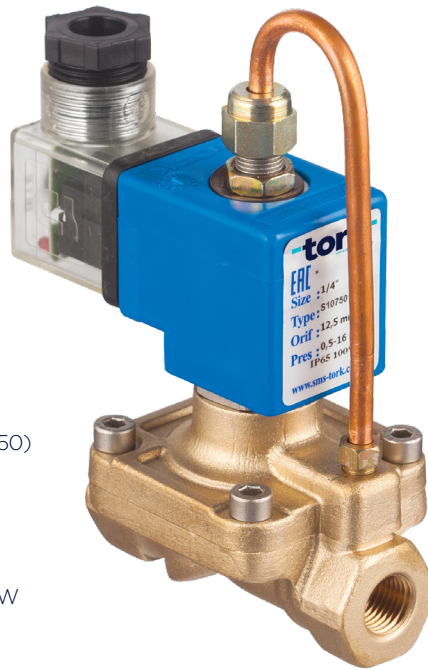
- Female connection: BSP; (On request NPT)
- On request CR-Ni plated, PTFE coated done
- On request Atex (exproof) coil.

### TECHNICAL FEATURES

|                |   |
|----------------|---|
| Max. Viscosity | : 5°E (-37cST veya mm <sup>2</sup> /s)                                |
| Response Time  | : Opening time : 400 ms - 1600 ms<br>Closing Time : 1000 ms - 2000 ms |

### SEALS FEATURES

|       |                  |
|-------|------------------|
| NBR   | : -10°C...+80°C  |
| EPDM  | : -10°C...+130°C |
| VITON | : -10°C...+160°C |
| PTFE  | : -10°C...+160°C |
| RUBY  | : -10°C...+160°C |

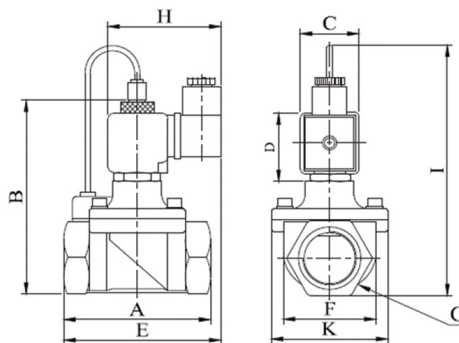


NORMALLY OPEN

2/2 OPERATED

PILOT OPERATED

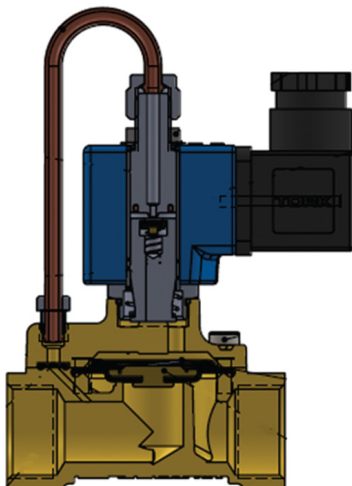
ΔP=0,5



Dimensions (mm)

|      | G  | A  | B  | C  | D    | E  | K  | H   | I |
|------|----|----|----|----|------|----|----|-----|---|
| 1/8" | 75 | 97 | 32 | 45 | 91.3 | 52 | 76 | 108 |   |
| 1/4" | 75 | 97 | 32 | 45 | 91.3 | 52 | 76 | 108 |   |

| Coils         | Nominal Values | Cold/Hot | Inrush | Holding | Current (A) | Surface Temperature (°C) |
|---------------|----------------|----------|--------|---------|-------------|--------------------------|
| C40012VDC18W  | 12VDC 18W      | COLD     | 19,56  | 19,56   | 1,63        | 20                       |
|               |                | HOT      | 14,52  | 14,52   | 1,21        | 106                      |
| C40024VDC18W  | 24VDC 18W      | COLD     | 20,88  | 20,88   | 0,87        | 25                       |
|               |                | HOT      | 14,64  | 14,64   | 0,61        | 116                      |
| C40110VDC18W  | 110VDC 18W     | COLD     | 19,96  | 19,96   | 0,18        | 23                       |
|               |                | HOT      | 13,56  | 13,56   | 0,123       | 115                      |
| C40012VAC15VA | 12VAC 15VA     | COLD     | 23,81  | 16,43   | 1,3         | 25                       |
|               |                | HOT      | -      | 15,86   | 1,262       | 79                       |
| C40024VAC15VA | 24VAC 15VA     | COLD     | 25,82  | 15,02   | 0,62        | 22                       |
|               |                | HOT      | -      | 13,91   | 0,57        | 81                       |
| C40110VAC15VA | 110VAC 15VA    | COLD     | 30,65  | 15,17   | 0,137       | 24                       |
|               |                | HOT      | -      | 13,96   | 0,126       | 80                       |
| C40230VAC15VA | 230VAC 15VA    | COLD     | 31,4   | 15,64   | 0,068       | 25                       |
|               |                | HOT      | -      | 14,41   | 0,063       | 80                       |
| C40230VAC24VA | 230VAC 24VA    | COLD     | 45,1   | 23,92   | 0,0154      | 23                       |
|               |                | HOT      | -      | 21,62   | 0,0154      | 100                      |



| Solenoid Valve Symbol | Valve Type/Order No | Connection Size | Orifice Size | Pressure |       | Kv | Seal |                          |    | Weight |
|-----------------------|---------------------|-----------------|--------------|----------|-------|----|------|--------------------------|----|--------|
|                       |                     |                 |              | min/max  | l/min |    | NBR  | Opsiyon<br>Viton<br>EPDM | kg |        |
|                       | S1075               | G               | mm           | Bar      | Bar   |    |      |                          |    |        |
|                       | S1075.00            | 1/8"            | 12.5         | 0.5      | 16    | 48 | ✓    | ✓                        | ✓  | 0,75   |
|                       | S1075.01            | 1/4"            | 12.5         | 0.5      | 16    | 48 | ✓    | ✓                        | ✓  | 0,73   |

### STANDARDS

- Standard tube connection G (BSP) (ISO 228-1) and other tube connections (NPT (ANSI 1.20.3)) are available on request.
- TORK solenoid valves 97/23/EC, are available for pressure equipment directive (PED) and 2006/95/ECC low voltage directive (LVD).

Not: Please look catalogues for more details