

ISO 15552
PNEUMATIC CYLINDERS
PMT SERIES Ø32 - Ø100





PMT SERIES
ISO 15552 - Ø32 - Ø100

MAGNETIC CUSHIONING CYLINDER

LIGHT-WEIGHT MEETS
HIGH PERFORMANCE



Example of order:

PMT-A **050-0100** **SFWCFM RC** **M4**
 Product Code Cylinder Ø Stroke Cylinder Mountings Variants from Standard System

VARIANTS FROM STANDARD SYSTEM:

- R1: Stainless Steel Piston Rod (SS 304-SS 316)
- R3: Stainless Steel Screws for Cylinder Covers (SS 304)
- R4: Stainless Steel Nut for Piston Rod (SS 304)
- R5: Piston Rod as CK45 (Hard chrome plated)
- M1: Extended male Piston Rod Thread
- M2: Female Piston Rod Thread
- M3: Special Piston Rod Thread
- M4: Extended Piston Rod
- E1: Hard Eloxal Plated, Anticorrosive Aluminium Covers
- K1: Seals for Max. 150°C Viton)
- K2: Piston Rod Seal NBR + PA
- K3: Seals NBR
- K4: Piston Rod Seal Viton

Working Fluid:

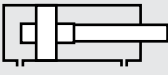
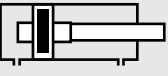
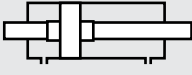
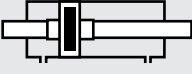
Filtered and lubricated or filtered and not lubricated air

Operating Temperature Range:

Polyurethane (PU) : (-20°C) - (+80°C)
 Viton (FKM) : (-30°C) - (+150°C)

Max. Work Pressure:

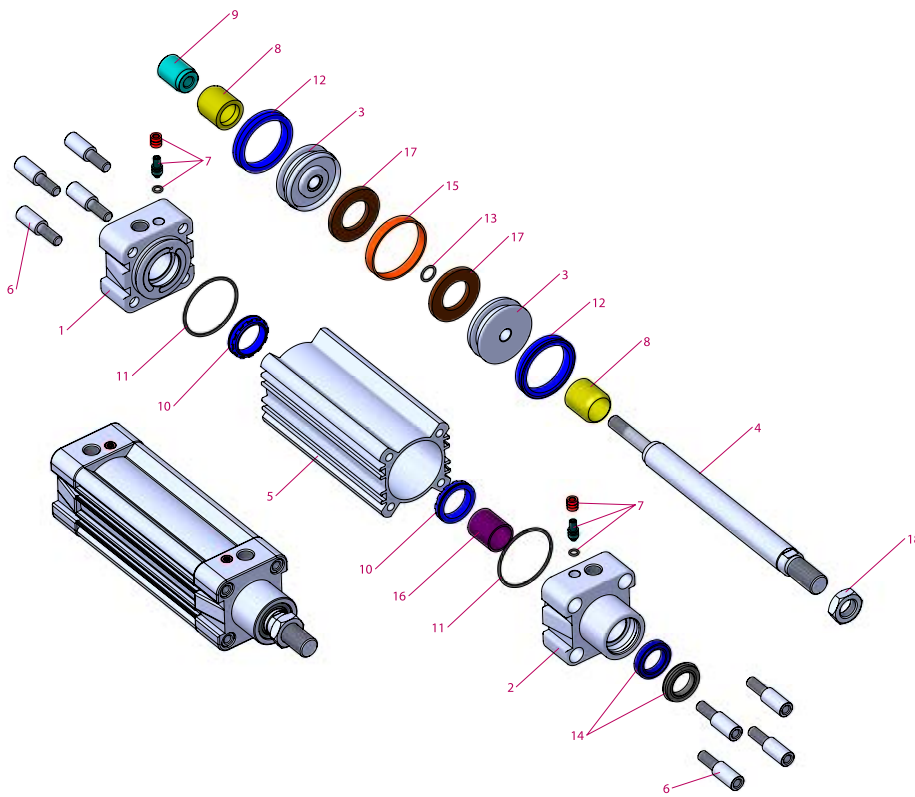
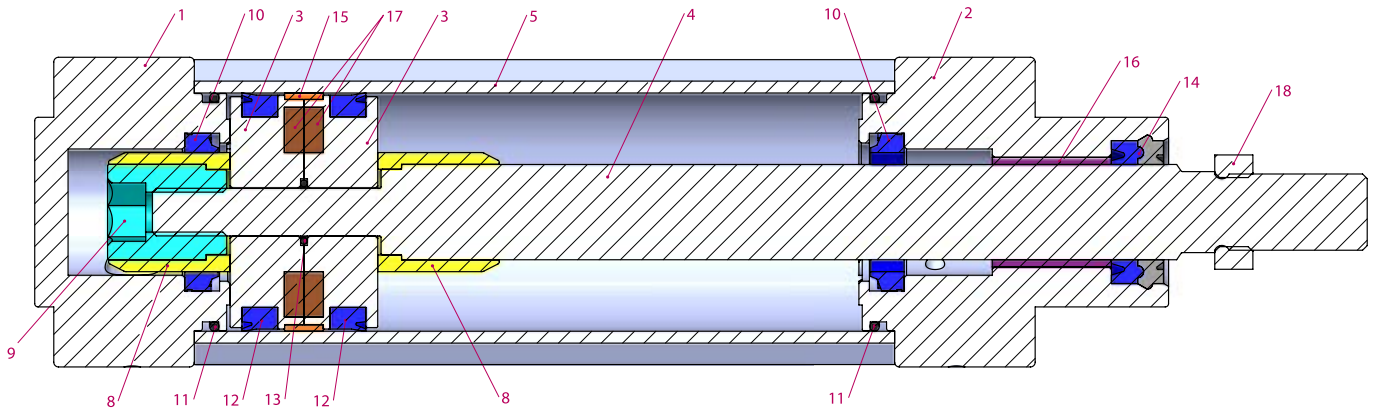
10 Bar

-  **PMT:** DOUBLE ACTING CYLINDER WITH CUSHIONING
-  **PMT-A:** DOUBLE ACTING CYLINDER WITH CUSHIONING AND MAGNETIC
-  **PMT-D:** DOUBLE ACTING CYLINDER WITH CUSHIONING AND DOUBLE ROD
-  **PMT-AD:** DOUBLE ACTING CYLINDER WITH CUSHIONING, MAGNETIC AND DOUBLE ROD

Cushioning is standard on these products.

Force:

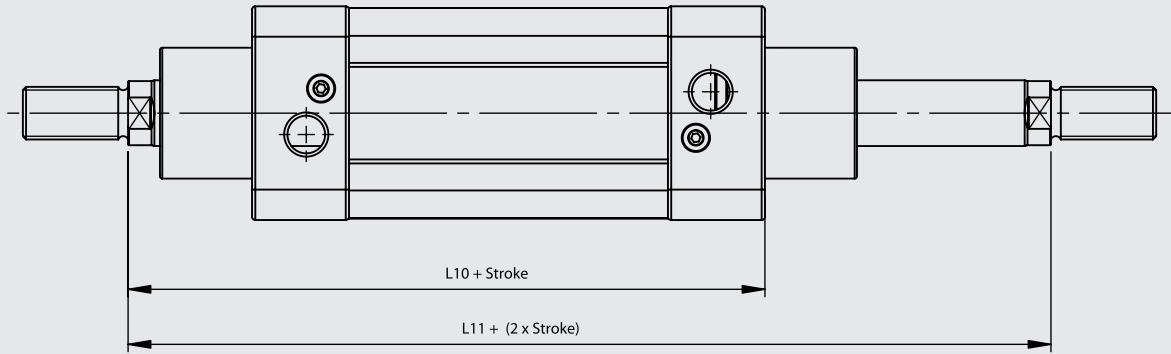
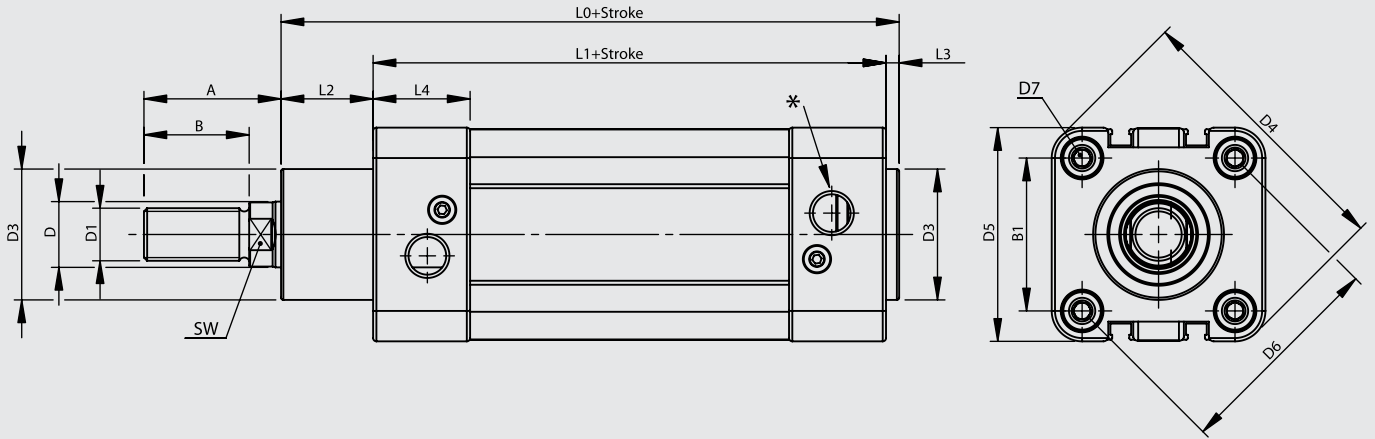
Cylinder Ø mm	Rod Ø mm	Thrust and traction forces(6 Bar)	
		ThrustForce (N)	Traction Force (N)
32	12	482	415
40	16	754	633
50	20	1178	990
63	20	1870	1682
80	25	3016	2721
100	25	4712	4418



No	MATERIAL NAME	CHARACTERISTIC	PC.
1	Rear Head	Aluminium	1
2	Front Head	Aluminium	1
3	Middle Piston	Aluminium	2
4	Piston Rod	X20 Cr13 Hard Chrome Plated	1
5	Tube	Al Mg Si 0,5 + Eloxal Plated	1
6	Bolt	Galvanized Steel	8
7	Cushioning Screw	Brass+AISI 303 NBR	2
8	Cushioning Plastic	Polyacetal	2
9	Cushioning Fem. Thread	Galvanized Steel	1
10	Cushioning Seal	PU	2
11	Head O-ring	NBR	2

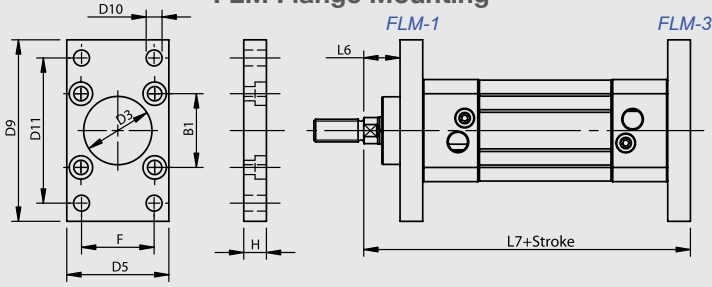
No	MATERIAL NAME	CHARACTERISTIC	PC.
12	Piston Seal	PU	2
13	Middle Piston O-ring	NBR	1
14	Rod Seal	HYTREL + PU	1
15	Guiding Band	Polyacetal	1
16	Guiding Bush	CSB-40	1
17	Magnet		2
18	Nut	Galvanized Steel	1

Note:
Dia 32: Instead of Cushioning Plastic is used Cushioning yellow and instead of Cushioning Plastic Female Thread is used Cushioning yellow Female Thread. (Material:Brass)

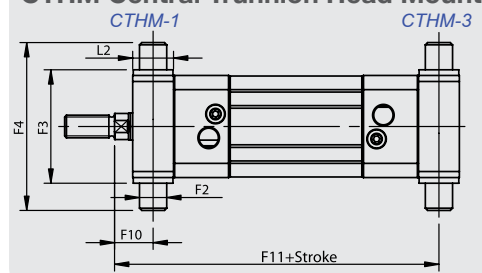


Cylinder Ø mm	A	B	B1	D Ø	D1	D3 Ø	D4	D5	D6 Ø	D7	L0	L1	L2	L3	L4	L10	L11	SW	*
32	30	22	32.5	12	M10x1.25	30	59	45	46	M6	116	94	18	4	25	120	146	10	G1/8"
40	34	24	38	16	M12x1.25	35	70.2	54	53.7	M6	129	105	20	4	27	135	165	13	G1/4"
50	41	32	46.5	20	M16x1.5	40	84.2	65	65.7	M8	138	106	28	4	29.5	143	180	17	G1/4"
63	42	32	56.5	20	M16x1.5	45	99.5	76	80	M8	152	121	27	4	34.5	158	195	17	G3/8"
80	52	40	72	25	M20x1.5	45	123.8	94	101.8	M10	167	128	34	4	35	174	220	22	G3/8"
100	52.5	40	89	25	M20x1.5	55	148.8	112	125.9	M10	182.5	138	38.5	4	38	189	240	22	G1/2"

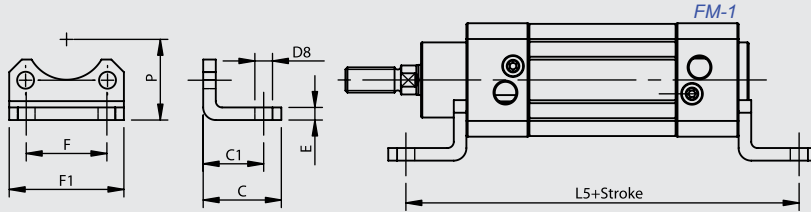
FLM Flange Mounting



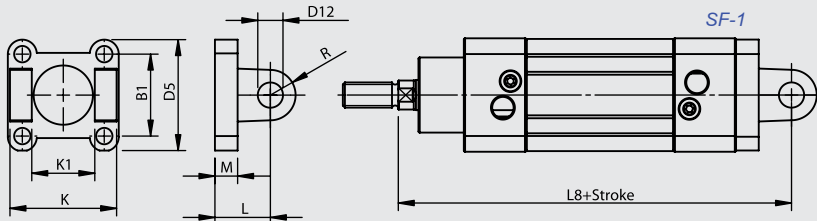
CTHM Central Trunnion Head Mounting



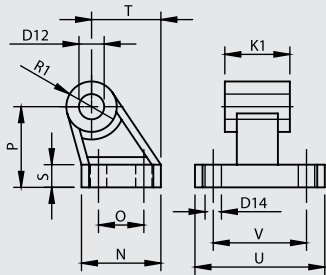
FM Foot Mounting



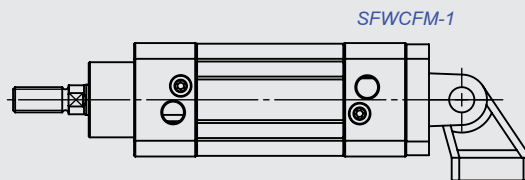
SF Swivel Flange



CFM Clevis Foot Mounting



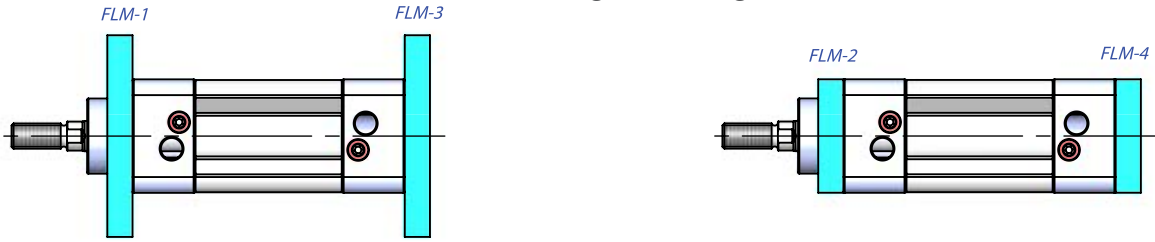
SFWCFM Swivel Flange with Clevis Foot Mounting



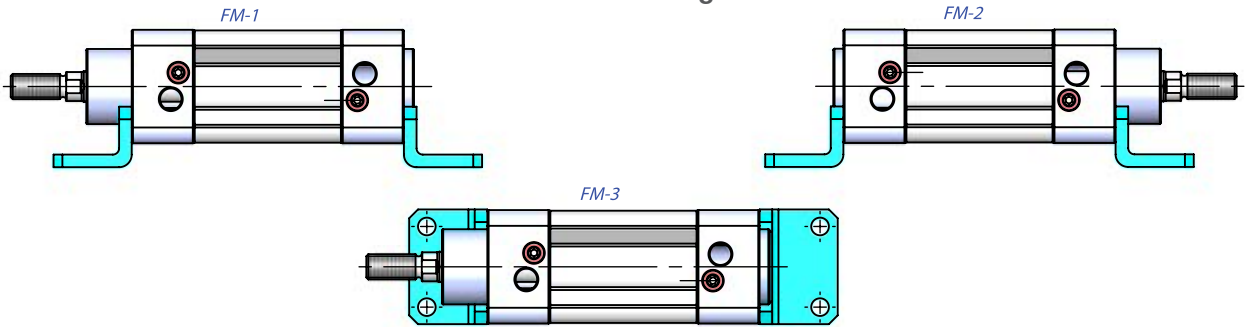
Cylinder Ø mm	B1	C	C1	D3 Ø H11	D5	D8 Ø H14	D9	D10 Ø H13	D11 JS14	D12 Ø H9	D14 Ø H13	E JS14	F JS14	F1	F2 Ø e9	F3 h14	F4	F10	F11
32	32.5	30	24	30	45	7	80	7	64	10	6.6	5	32	45.5	12	50	74	17	129
40	38	37	28	35	54	10	90	9	72	12	6.6	5	36	54.5	16	63	95	20	145
50	46.5	41	32	40	65	10	110	9	90	12	9	6	45	65	16	75	107	23	157
63	56.5	44	32	45	76	10	120	9	100	16	9	6	50	76	20	90	130	23.5	171.5
80	72	56	41	45	94	12	150	12	126	16	11	6	63	94	20	110	150	29	191
100	89	58	41	55	112	14	175	14	150	20	11	6	75	112	25	132	182	31.8	208.3

Cylinder Ø mm	H	K h14	K1 H14	L	L2	L5	L6	L7	L8	M	N	O JS14	P JS16	R	R1	S	T	U	V JS14
32	10	45	26	22	18	142	16	130	142	9	31	18	32	10	10	8	27.5	51	38
40	10	52	28	25	20	161	20	145	160	9	35	22	36	12	11	10	30.5	54	41
50	12	60	32	27	28	170	25	155	170	11	45	30	45	13	13	12	40.5	65	50
63	12	70	40	32	27	185	25	170	190	11	50	35	50	16	15	12	44.5	67	52
80	16	90	50	36	34	210	30	190	210	14	60	40	63	16	15	14	57	86	66
100	16	110	60	41	38.5	220	35	205	230	14	70	50	71	20	19	15	65	96	76

FLM Flange Mounting



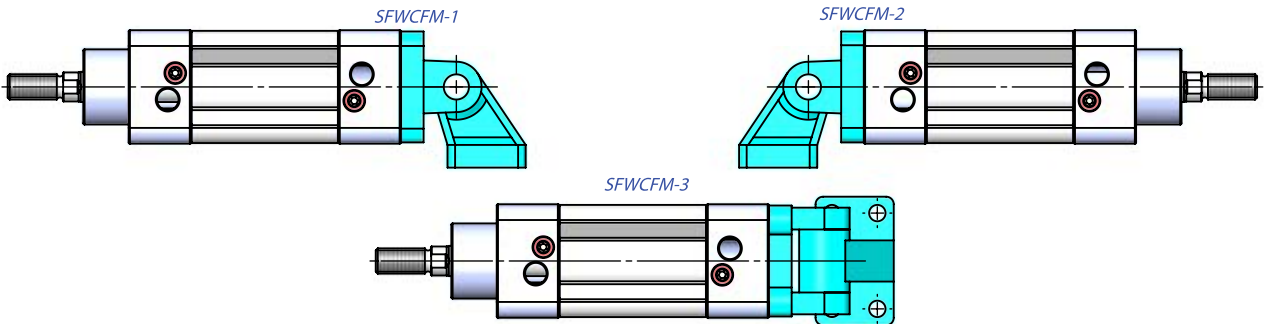
FM Foot Mounting



SF Swivel Flange

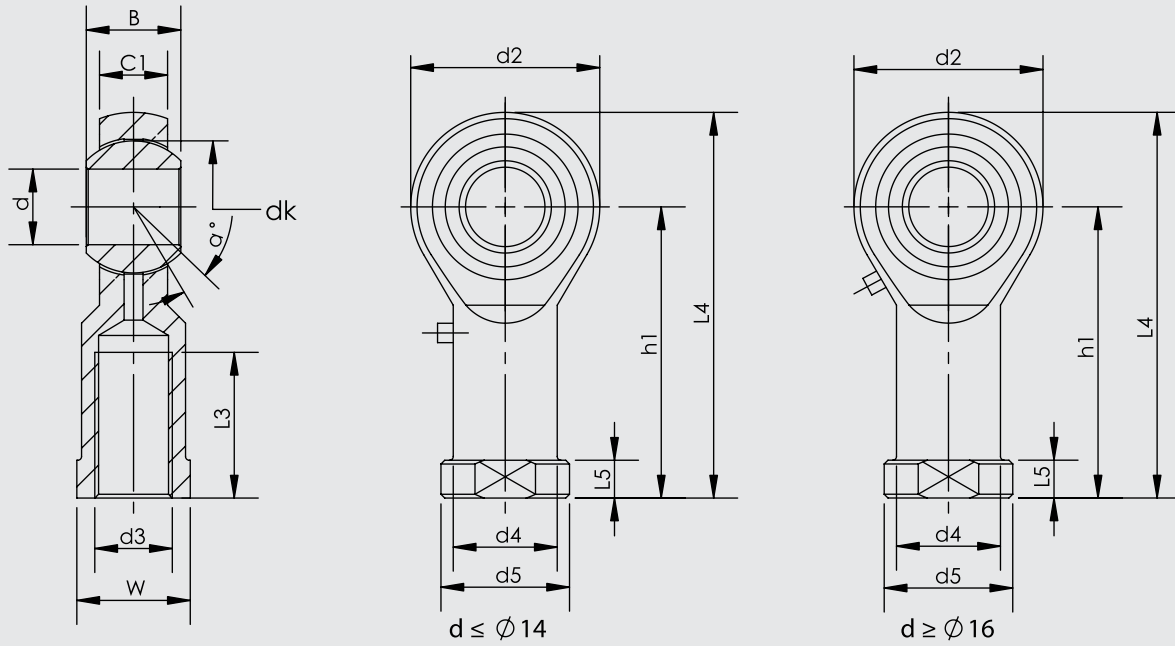


SFWCFM Swivel Flange with Clevis Foot Mounting

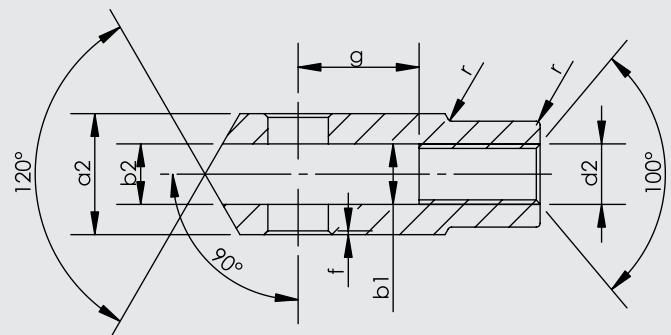
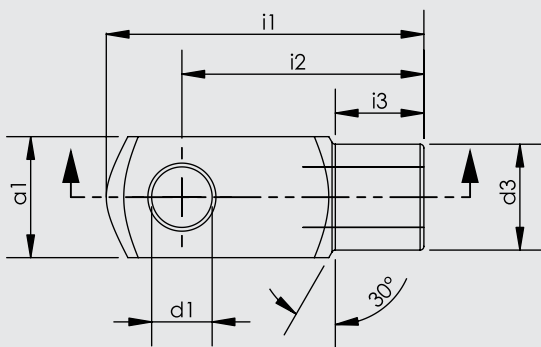


CTHM Central Trunnion Head Mounting





Part No.	Dimensions (mm)													
	d	$d3$ 6H	B	$C1$	W	$L3$ min	$d2$	$L4$	$h1$	$L5$	$d4$	$d5$	dk	a°
KMB 10 -1	10	M10x1.25	14	10.5	17	20	26	56	43	6.5	15	19	19.05	13
KMB 12 -1	12	M12x1.25	16	12	19	22	30	65	50	6.5	17.5	22	22.225	13
KMB 16 -1	16	M16x1.5	21	15	22	28	40	84	64	8	22	27	28.575	15
KMB 20	20	M20x1.5	25	18	30	33	50	102	77	10	27.5	34	34.925	14



Cylinder \varnothing mm	$d1$ H9	g $\pm 0,5$	$a1$ h 11	$a2$ $+0,3$ $-0,16$	$b1$ B 13	$b2$	$d2$ 6H	$d3$ $\pm 0,3$	f $\pm 0,2$	$i1$ $\pm 0,5$	$i2$	$i3$ $\pm 0,2$	r
32	10	20	20	20	10	10	M10x1.25	18	0.5	52	40	15	0.5
40	12	24	24	24	12	12	M12x1.25	20	0.5	62	48	18	0.5
50	16	32	32	32	16	16	M16x1.5	26	1	83	64	24	1
63	16	32	32	32	16	16	M16x1.5	26	1	83	64	24	1
80	20	40	40	40	20	20	M20x1.5	34	1.5	105	80	30	1.5
100	20	40	40	40	20	20	M20x1.5	34	1.5	105	80	30	1.5