

Valve operates without differential pressure (Δp)
High flow rate
Easily interchangeable solenoid



Technical features

Medium:

Hot water, steam

Switching function:

Normally closed

Operation:

Solenoid operated, with forced lifting

Mounting:

Optional, preferably solenoid vertical on top

Flow direction:

Determined

Port size:

G1/4, G3/8, G1/2, G3/4, G1, G1 1/4, G1 1/2, G2, 1/4 NPT, 3/8 NPT, 1/2 NPT, 3/4 NPT, 1 NPT, 1 1/4 NPT, 1 1/2 NPT, 2 NPT

Operating pressure:

0 ... 10 bar

Fluid temperature:

0 ... +150°C

Ambient temperature:

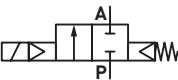
0 ... +60°C

Materials:

Body: Brass
 Seat seal: HNBR
 Internal parts: Brass, Stainless steel

For contaminated fluids insertion of a strainer is recommended.

Technical datas - standard models

Symbol	Port size	Orifice (mm)	Flow kv value *1) (m ³ /h)	Operating pressure (bar)	Weight (kg)	Model Solenoid in V d.c.	Model Solenoid in V a.c.
	G1/4	8	1,9	0 ... 10	1,3	8436000.8302.xxxxx	8436000.8306.xxxxx
	1/4 NPT	8	1,9	0 ... 10	1,3	8437000.8302.xxxxx	8437000.8306.xxxxx
	G3/8	10	3	0 ... 10	1,3	8436100.8302.xxxxx	8436100.8306.xxxxx
	3/8 NPT	10	3	0 ... 10	1,3	8437100.8302.xxxxx	8437100.8306.xxxxx
	G1/2	12	3,8	0 ... 10	1,3	8436200.8302.xxxxx	8436200.8306.xxxxx
	1/2 NPT	12	3,8	0 ... 10	1,3	8437200.8302.xxxxx	8437200.8306.xxxxx
	G3/4	20	6,1	0 ... 10	1,9	8436300.8302.xxxxx	8436300.8306.xxxxx
	3/4 NPT	20	6,1	0 ... 10	1,9	8437300.8302.xxxxx	8437300.8306.xxxxx
	G1	25	9,5	0 ... 10	1,9	8436400.8302.xxxxx	8436400.8306.xxxxx
	1 NPT	25	9,5	0 ... 10	1,9	8437400.8302.xxxxx	8437400.8306.xxxxx
	G1 1/4	32	23	0 ... 10	5,1	8436500.8402.xxxxx	8436500.8406.xxxxx
	1 1/4 NPT	32	23	0 ... 10	5,1	8437500.8402.xxxxx	8437500.8406.xxxxx
	G1 1/2	40	25	0 ... 10	4,8	8436600.8402.xxxxx	8436600.8406.xxxxx
	1 1/2 NPT	40	25	0 ... 10	4,8	8437600.8402.xxxxx	8437600.8406.xxxxx
	G2	50	41	0 ... 10	6,1	8436700.8402.xxxxx	8436700.8406.xxxxx
	2 NPT	50	41	0 ... 10	6,1	8437700.8402.xxxxx	8437700.8406.xxxxx

xxxxx Please insert voltage and frequency codes

*1) Cv-value (US) = kv value x 1,2

Option selector
843★★00.★ ★ ★ ★ . ★ ★ ★ ★ ★

Thread form	Substitute
ISO G	6
NPT	7
Port size	Substitute
1/4	0
3/8	1
1/2	2
3/4	3
1	4
1 1/4	5
1 1/2	6
2	7

Frequency	Substitute
See table frequency codes	xx
Voltage	Substitute
See Voltage codes	xxx
Solenoid options	Substitute
G1/4 ... 1 Solenoid in V d.c.	8302
G1 1/4 ... 2 Solenoid in V d.c.	8306
G1/4 ... 1 Solenoid in V d.c.	8402
G1 1/4 ... 2 Solenoid in V a.c.	8406

Standard solenoid systems

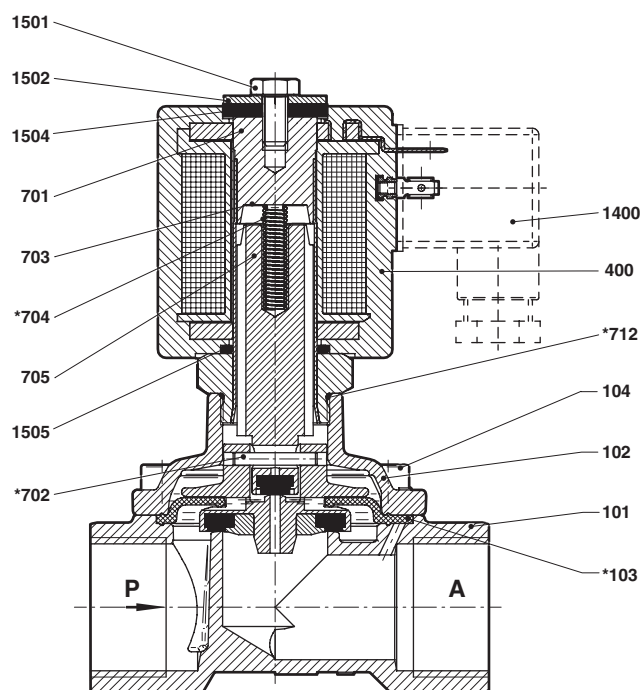
Voltage and Frequency Solenoid 8302/8306					
Code Voltage	Code Frequency	Voltage	Frequency	Power consumption	
				Inrush	Holding
024	00	24 V d.c.	-	14 W	14 W
024	49	24 V a.c. *1)	40 ... 60 Hz	16 VA	16 VA
110	49	110 V a.c. *1)	40 ... 60 Hz	16 VA	16 VA
120	49	120 V a.c. *1)	40 ... 60 Hz	16 VA	16 VA
230	49	230 V a.c. *1)	40 ... 60 Hz	16 VA	16 VA
Voltage and Frequency Solenoid 8402/8406					
024	00	24 V d.c.	-	29 W	29 W
024	49	24 V a.c. *1)	40 ... 60 Hz	33 VA	33 VA
110	49	110 V a.c. *1)	40 ... 60 Hz	33 VA	33 VA
120	49	120 V a.c. *1)	40 ... 60 Hz	33 VA	33 VA
230	49	230 V a.c. *1)	40 ... 60 Hz	33 VA	33 VA

*1) A.c. with rectifier plug

Electrical details for all solenoid systems

Design	DIN VDE 0580
Voltage range	±10%
Duty cycle	100% ED
Protection class	EN 60529 IP65
Socket	Form A acc. to DIN EN 175301-803 (included)

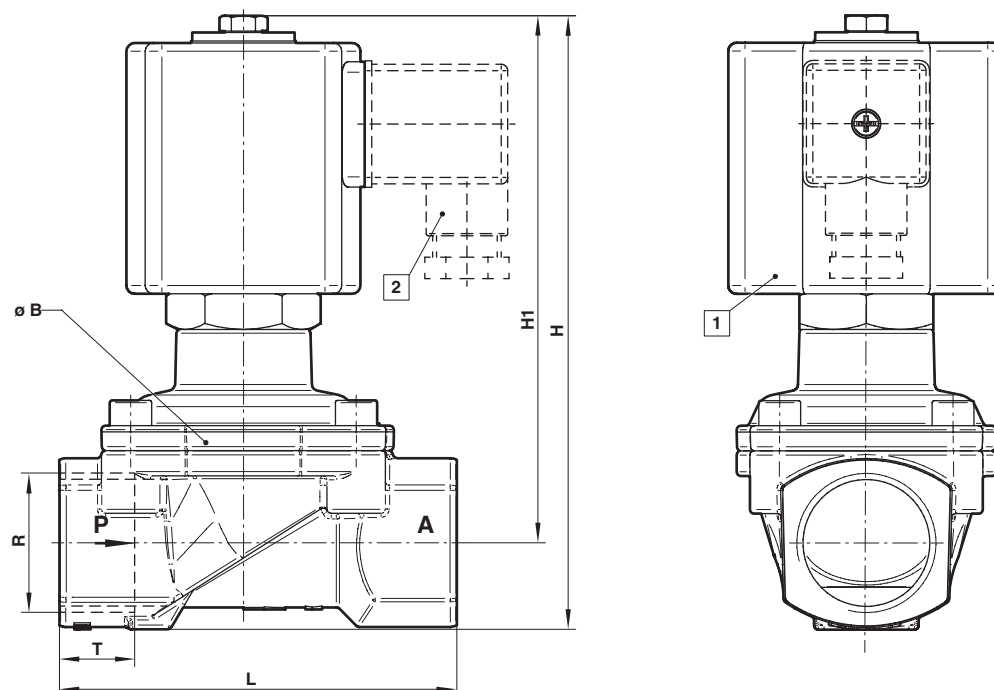
According to DIN VDE 0580 at a solenoid temperature of +20°C.
At operating state temperature the input power of a coil decreases by up to ca. 30% due to physical reasons.

Section View
G1/4 ... 1
1/4 ... 1 NPT


No.	Description
101	Valve body
102	Valve cover
*103	Diaphragm, assembly
104	Allen head screw
400	Solenoid
701	Core tube
*702	Dowel pin
703	Round plate
*704	Pressure spring
705	Plunger
*712	O-ring
1400	Socket
1501	Hexagon screw
1502	Round plate
1504	Gasket
1505	O-ring

* These individual parts form a complete wearing unit.

When ordering spare parts please state Model No. and Series No.

Dimensions
G1/4 ... 1
1/4 ... 1 NPT


- 1 Solenoid rotatable 360°
2 Socket turnable 4 x 90°
 [Socket included]

Port size R	ϕB	H	H1	L	T	Model
G1/4	44	128,5	117	60	12	8436000.830x.xxxxx
1/4 NPT	44	128,5	117	60	10	8437000.830x.xxxxx
G3/8	44	128,5	117	60	12	8436100.830x.xxxxx
3/8 NPT	44	128,5	117	60	10,5	8437100.830x.xxxxx
G1/2	44	131	117	67	14	8436200.830x.xxxxx
1/2 NPT	44	131	117	67	13,5	8437200.830x.xxxxx
G3/4	50	136	121	80	12,5	8436300.830x.xxxxx
3/4 NPT	50	136	121	80	14	8437300.830x.xxxxx
G1	62	147	126	95	18	8436400.830x.xxxxx
1 NPT	62	147	126	95	17	8437400.830x.xxxxx
G 1 1/4	92	199	170	132	20	8436500.840x.xxxxx
1 1/4 NPT	92	199	170	132	17	8437500.840x.xxxxx
G1 1/2	92	199	170	132	20	8436600.840x.xxxxx
1 1/2 NPT	92	199	170	132	17,0	8437600.840x.xxxxx
G2	100	214,5	180	160	24	8436700.840x.xxxxx
2 NPT	100	214,5	180	160	17,5	8437700.840x.xxxxx

Note to Pressure Equipment Directive (PED):

The valves of this series, including the connection size DN 25 [G 1], are according to Art. 3 § 3 of the Pressure Equipment Directive (PED) 97/23/EG. This means interpretation and production are in accordance to engineers practice wellknown in the member countries.

The CE-sign at the valve refers not to the PED. Thus the declaration of conformity is not longer applicable for this directive.

For valves > DN 25 [G 1] Art. 3 § (1) No.1.4 applies.

The basic requirements of the Enclosure I of the PED must be fulfilled. The CE-sign at the valve includes the PED. A certificate of conformity of this directive will be available on request.

Note to Electromagnetic Compatibility Guideline (EEC):

The valves shall be provided with an electrical circuit which ensures the limits of the harmonized standards EN 61000-6-3 and EN 61000-6-1 are observed, and hence the requirements of the Electromagnetic Compatibility Guideline [2004/108/EG] satisfied.