

**Steel reinforced main seals**
**16 bar and 10 bar CNOMO solenoid pilots  
with locking or non-locking manual override**
**Low power coils (1,5W)**
**Wide range of sub-bases and accessories**

**Technical Data**
**Medium:**

 Compressed air, filtered to 40µm,  
lubricated or non-lubricated

**Operation:**

 Spool Valve, solenoid pilot or  
air pilot actuated

**Mounting position:**

On sub-bases

**Sizes:**

ISO 1, 2, 3 and 4

**Operating pressure:**

 10 bar - solenoid pilot actuated  
valves

 16 bar - solenoid pilot and  
air pilot actuated valves

**Pilot pressure:**

Details of see overleaf

External pilot supply: optional

**Flow characteristics**

Size	Function	l/min	Cv	Kv
ISO 1 5/2		1200	1,22	1,05
ISO 1 5/3 APB		660	0,67	0,58
ISO 2 5/2		2130	2,17	1,86
ISO 2 5/3 APB		1520	1,55	1,33
ISO 3 5/2		4150	4,23	3,62
ISO 3 5/3 APB		3750	3,82	3,28
ISO 4 5/2		5660	5,77	4,94
ISO 4 5/3 APB		5490	5,59	4,79

**Fluid/Ambient temperature:**

-10 ... +50°C

solenoid pilot actuated valves

-10 ... +80°C

air pilot actuated valves

Air supply must be dry enough

 to avoid ice formation at  
temperatures below +2°C.

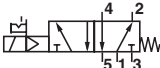
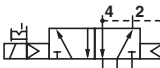
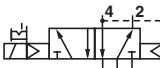
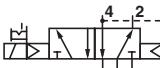
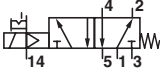
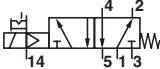
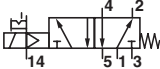
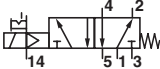
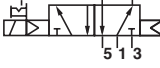
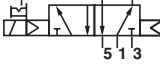
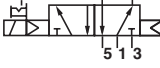
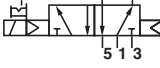
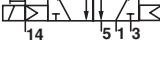
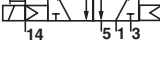
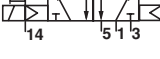
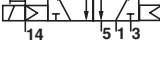
**Materials:**

Body: die cast aluminium

Spool: light alloy aluminium

Seals: NBR

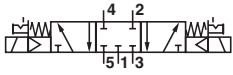
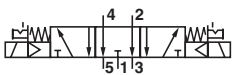
**5/2 Solenoid pilot actuated valves – 10 bar models**

Symbol	ISO size	Operator/return	Pilot supply	Flow (l/min)	Operating pressure (bar)	Pilot pressure (bar)	Weight (kg)	Drawing No.	Model
	1	Solenoid/spring	Internal	1200	2 ... 10	—	0,45	1	UM/22152/122/61/*
	2	Solenoid/spring and air	Internal	2130	2,5 ... 10	—	0,70	3	UM/22253/172/61/*
	3	Solenoid/spring and air	Internal	4150	2,5 ... 10	—	1,00	3	UM/22354/172/61/*
	4	Solenoid/spring and air	Internal	5660	2,5 ... 10	—	1,27	3	UM/22456/172/61/*
	1	Solenoid/spring	External	1200	-0,9 ... 16	2,3 *2) ... 10	0,45	1	UM/22152/22/61/*
	2	Solenoid/spring	External	2130	-0,9 ... 16	1,8 *2) ... 10	0,70	3	UM/22253/22/61/*
	3	Solenoid/spring	External	4150	-0,9 ... 16	1,8 *2) ... 10	1,00	3	UM/22354/22/61/*
	4	Solenoid/spring	External	5660	-0,9 ... 16	1,8 *2) ... 10	1,27	3	UM/22456/22/61/*
	1	Solenoid/ solenoid	Internal	1200	2 ... 10	—	0,59	2	UM/22152/123/61/*
	2	Solenoid/ solenoid	Internal	2130	2 ... 10	—	0,84	4	UM/22253/123/61/*
	3	Solenoid/ solenoid	Internal	4150	2 ... 10	—	1,14	4	UM/22354/123/61/*
	4	Solenoid/ solenoid	Internal	5660	2 ... 10	—	1,41	4	UM/22456/123/61/*
	1	Solenoid/ solenoid	External	1200	-0,9 ... 16	2,3 *2) ... 10	0,59	2	UM/22152/23/61/*
	2	Solenoid/ solenoid	External	2130	-0,9 ... 16	1,5 *2) ... 10	0,84	4	UM/22253/23/61/*
	3	Solenoid/ solenoid	External	4150	-0,9 ... 16	1,5 *2) ... 10	1,14	4	UM/22354/23/61/*
	4	Solenoid/ solenoid	External	5660	-0,9 ... 16	1,5 *2) ... 10	1,41	4	UM/22456/23/61/*

\* Insert voltage code from page 2. Standard are: '13J' for 24 V d.c. or '19J' for 240 Va.c.

\*2) plus (0,1 x supply pressure)

### 5/3 Solenoid Pilot Actuated Valves – 10 bar models

Symbol	ISO size	Function	Operator/return	Pilot supply	Flow (l/min)	Operating pressure (bar)	Weight (kg)	Drawing No.	Model
	1	APB	Solenoid/ solenoid	Internal	660	2 ... 10	0,59	2	UM/22152/6123/61/*
	2	APB	Solenoid/ solenoid	Internal	1520	2,8 ... 10	0,84	4	UM/22253/6123/61/*
	3	APB	Solenoid/ solenoid	Internal	3750	2,8 ... 10	1,14	4	UM/22354/6123/61/*
	4	APB	Solenoid/ solenoid	Internal	5490	2,8 ... 10	1,41	4	UM/22456/6123/61/*
	1	COE	Solenoid/ solenoid	Internal	660	2,5 ... 10	0,59	2	UM/22162/6123/61/*
	2	COE	Solenoid/ solenoid	Internal	1520	2,8 ... 10	0,84	4	UM/22263/6123/61/*
	3	COE	Solenoid/ solenoid	Internal	3750	2,8 ... 10	1,14	4	UM/22364/6123/61/*
	4	COE	Solenoid/ solenoid	Internal	5490	2,8 ... 10	1,41	4	UM/22466/6123/61/*

\* Insert voltage code from table below. Standard are: '13J' for 24 V d.c. or '19J' for 240 Va.c.

APB = All Ports Blocked

COE = Centre Open Exhaust

### Electrical details for 10 bar solenoid operators

Voltage tolerance	± 10%
Rating	100% Continuous Duty
Inlet orifice	1,0 mm
Electrical connection	DIN EN 175301-803 (DIN 43 650) form 'A'
	DIN EN 175301-803 (DIN 43 650) form 'B'
	Industrial Standard 22 mm
Solenoid Coil	May be rotated at 90° intervals
Manual override (with threaded diffuser)	Push to operate spring return (standard code 61)
	Screwdriver memory type (optional code 60)
Protection Class	IP 65 with sealed plug

### Voltage codes and spare coils for 10 bar models

Voltage	22 mm Coil with connector interface acc. to Industrial Standard		Coil Part.-no.	22 mm Coil with connector interface acc. to DIN EN 175301-803 form "B"		Coil Part.-no.	30 mm Coil with connector interface acc. to DIN EN 175301-803 form "A"		Coil Part.-no.
	Code	Power Inrush/Hold		Code	Power Inrush/Hold		Code	Power Inrush/Hold	
12 V d.c.	12J	2 W	QM/48/12J/21	12L	2 W	V10626-A12L	22N	1,5 W	V10633-A22N
24 V d.c.	13J	2 W	QM/48/13J/21	13L	2 W	V10626-A13L	23N	1,5 W	V10633-A23N
24 V 50/60 Hz	14J	4/2,5 VA	QM/48/14J/21	14L	4/2,5 VA	V10626-A14L	24N	3/2 VA	V10633-A24N
48 V 50/60 Hz	16J	4/2,5 VA	QM/48/16J/21	16L	4/2,5 VA	V10626-A16L	26N	3/2 VA	V10633-A26N
110/120 V 50/60 Hz	18J	4/2,5 VA	QM/48/18J/21	18L	4/2,5 VA	V10626-A18L	28N	3/2 VA	V10633-A28N
220/240 V 50/60 Hz	19J	9/5,0 VA	QM/48/19J/21	19L	9/5,0 VA	V10626-A19L	29N	3/2 VA	V10633-A29N

Other Voltages available on request.

Connector plugs to be ordered separately. For technical data see section 7.7.001.

**5/2 Solenoid pilot actuated valves – 16 bar models**

Symbol	ISO size	Operator/return	Pilot supply	Flow (l/min)	Operating pressure (bar)	Pilot pressure (bar)	Weight (kg)	Drawing No.	Model
	1	Solenoid/spring	Internal	1200	2 ... 16	—	0,45	1	UM/22152/122/81/*
	2	Solenoid/spring and air	Internal	2130	2,5 ... 16	—	0,70	3	UM/22253/172/81/*
	3	Solenoid/spring and air	Internal	4150	2,5 ... 16	—	1,00	3	UM/22354/172/81/*
	4	Solenoid/spring and air	Internal	5660	2,5 ... 16	—	1,27	3	UM/22456/172/81/*
	1	Solenoid/spring	External	1200	-0,9 ... 16	2,3 *2) ... 16	0,45	1	UM/22152/22/81/*
	2	Solenoid/spring	External	2130	-0,9 ... 16	1,8 *2) ... 16	0,70	3	UM/22253/22/81/*
	3	Solenoid/spring	External	4150	-0,9 ... 16	1,8 *2) ... 16	1,00	3	UM/22354/22/81/*
	4	Solenoid/spring	External	5660	-0,9 ... 16	1,8 *2) ... 16	1,27	3	UM/22456/22/81/*
	1	Solenoid/ solenoid	Internal	1200	2 ... 16	—	0,59	2	UM/22152/123/81/*
	2	Solenoid/ solenoid	Internal	2130	2 ... 16	—	0,84	4	UM/22253/123/81/*
	3	Solenoid/ solenoid	Internal	4150	2 ... 16	—	1,14	4	UM/22354/123/81/*
	4	Solenoid/ solenoid	Internal	5660	2 ... 16	—	1,41	4	UM/22456/123/81/*
	1	Solenoid/ solenoid	External	1200	-0,9 ... 16	2,3 *2) ... 16	0,59	2	UM/22152/23/81/*
	2	Solenoid/ solenoid	External	2130	-0,9 ... 16	1,5 *2) ... 16	0,84	4	UM/22253/23/81/*
	3	Solenoid/ solenoid	External	4150	-0,9 ... 16	1,5 *2) ... 16	1,14	4	UM/22354/23/81/*
	4	Solenoid/ solenoid	External	5660	-0,9 ... 16	1,5 *2) ... 16	1,41	4	UM/22456/23/81/*

\* Insert voltage code from table below. Standard are: '33N' for 24V d.c. or '89N' for 240 V a.c.

\*2) plus (0,1 x supply pressure)

**5/3 Solenoid Pilot Actuated Valves – 10 bar (16 bar) models**

Symbol	ISO size	Function	Operator/return	Pilot supply	Flow (l/min)	Operating pressure (bar)	Weight (kg)	Drawing No.	Model
	1	APB	Solenoid/ solenoid	Internal	660	2 ... 10	0,59	2	UM/22152/6123/81/*
	2	APB	Solenoid/ solenoid	Internal	1520	2,8 ... 10	0,84	4	UM/22253/6123/81/*
	3	APB	Solenoid/ solenoid	Internal	3750	2,8 ... 10	1,14	4	UM/22354/6123/81/*
	4	APB	Solenoid/ solenoid	Internal	5490	2,8 ... 10	1,41	4	UM/22456/6123/81/*
	1	COE	Solenoid/ solenoid	Internal	660	2,5 ... 10	0,59	2	UM/22162/6123/81/*
	2	COE	Solenoid/ solenoid	Internal	1520	2,8 ... 10	0,84	4	UM/22263/6123/81/*
	3	COE	Solenoid/ solenoid	Internal	3750	2,8 ... 10	1,14	4	UM/22364/6123/81/*
	4	COE	Solenoid/ solenoid	Internal	5490	2,8 ... 10	1,41	4	UM/22466/6123/81/*

\* Insert voltage code from table below. Standard are: '33N' for 24V d.c. or '89N' for 240 V a.c.

APB = All Ports Blocked

COE = Centre Open Exhaust

**Electrical details for 16 bar solenoid operators**

Voltage tolerance	± 10%
Rating	100% Continuous Duty
Inlet orifice	1,0 mm
Electrical connection	DIN EN 175301-803 (DIN 43 650) form 'A'
Solenoid Coil	May be rotated at 90° intervals
Manual override (with threaded diffuser)	Push to operate spring return (standard code 81) Screwdriver memory type (optional code 80)
Protection Class	IP 65 with sealed plug

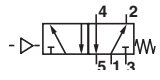
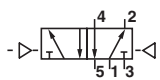
**Voltage codes and spare coils for 16 bar models**

Voltage	30 mm Coil with connector interface acc. to DIN EN 175301-803 form "A"		Coil Part.-no.
	Code	Power Inrush/hold	
24 V d.c.	33N	4 W	V10633-A23
110/120 V 50/60 Hz	88N	10/8 VA	V10633-A38
220/240 V 50/60 Hz	89N	10/8 VA	V10633-A39

Other Voltages available on request.

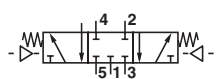

Connector plugs to be ordered separately. For technical data see section 7.7.001.

**5/2 pilot actuated valves – 16 bar models**

Symbol	ISO size	Operator/return	Flow (l/min)	Operating pressure (bar)	Pilot pressure (bar)	Weight (kg)	Drawing No.	Model
	1	Air/spring	1200	-0,9 ... 16	2,3 *2) ... 16	0,34	6	UM/22152/40
	2	Air/spring	2130	-0,9 ... 16	1,8 *2) ... 16	0,60	6	UM/22253/40
	3	Air/spring	4150	-0,9 ... 16	2,8 *2) ... 16	1,00	6	UM/22354/40
	4	Air/spring	5660	-0,9 ... 16	1,8 *2) ... 16	1,30	6	UM/22456/40
	1	v	1200	-0,9 ... 16	1,0 *2) ... 16	0,34	5	UM/22152/3
	2	Air/air	2130	-0,9 ... 16	1,5 *2) ... 16	0,50	5	UM/22253/3
	3	Air/air	4150	-0,9 ... 16	1,5 *2) ... 16	0,90	5	UM/22354/3
	4	Air/air	5660	-0,9 ... 16	1,5 *2) ... 16	1,20	5	UM/22456/3

\*2) plus (0,1 x supply pressure)

**Standard version**
**5/3 Solenoid pilot actuated valves – 16 bar models**

Symbol	ISO size	Function	Operator/return	Flow (l/min)	Operating pressure (bar)	Pilot pressure (bar)	Weight (kg)	Drawing No.	Model
	1	APB	Air/air	660	-0,9 ... 16	2,3 *2) ... 16	0,34	5	UM/22152/63
	2	APB	Air/air	1520	-0,9 ... 16	2,8 *2) ... 16	0,50	5	UM/22253/63
	3	APB	Air/air	3750	-0,9 ... 16	2,8 *2) ... 16	0,90	5	UM/22354/63
	4	APB	Air/air	5490	-0,9 ... 16	2,8 *2) ... 16	1,20	5	UM/22456/63
	1	COE	Air/air	660	-0,9 ... 16	2,3 *2) ... 16	0,34	5	UM/22162/63
	2	COE	Air/air	1520	-0,9 ... 16	2,8 *2) ... 16	0,50	5	UM/22263/63
	3	COE	Air/air	3750	-0,9 ... 16	2,8 *2) ... 16	0,90	5	UM/22364/63
	4	COE	Air/air	5490	-0,9 ... 16	2,8 *2) ... 16	1,20	5	UM/22466/63

\*2) plus (0,1 x supply pressure)

APB = All Ports Blocked

COE = Centre Open Exhaust

**Accessories**

22 mm coil according to Industrial standard

22 mm coil according to DIN EN 175301-803 form "B"

30 mm coil according to DIN EN 175301-803 form "A"



M/P19063

0680003

0570275

**Sub-bases, end plates and blanking disc  
VDMA 24345 sub-base options**

	Form A Single station sub-base side ported	Form B Single station sub-base bottom ported	Form C Modular sub-base	Form D End plates	Blanking disc for VDMA sub-bases *1)
	Page 7 G thread	Page 7 G thread	Page 8 G thread	Page 8 G thread	Page 8 G thread
	NPT thread		NPT thread	NPT thread	NPT thread
ISO 1	M/P19126 (1/4")	M/P19125 (1/4)	CQM/22152/3/21	CQM/22152/3/22	FP 8382
	C/P19126 (1/4")		239-238B	239-289B	239-251
ISO 2	M/P19132 (3/8")	M/P19131 (3/8)	CQM/22253/3/21	CQM/22253/3/22	FP 8482
	C/P19132 (3/8")		239-242B	239-291B	239-252
ISO 3	M/P19138 (1/2")	M/P19137 (1/2)	CQM/22354/3/21	CQM/22354/3/22	FP 8582
	C/P19138 (1/2")		239-246B	239-293B	239-253
ISO 4	M/P19144 (3/4")	M/P19143 (3/4)	CQM/22456/3/21	CQM/22456/3/22	

**Universal sub-base options for ISO G parallel thread only**

	Modular base with side, end and bottom ports open	Universal end plate, all ports blocked	Universal end plate, side ports open	Transition plate from ISO 1 to ISO 2	Blanking disk for ISO 1 and ISO 2 *1)
	Page 9	Page 9	Page 9	Page 10	Page 10
ISO 1	CQM/22152/3/27 (G1/4)	CQM/22152/28 (G1/4)	CQM/22152/3/31 (G1/4)	CQM/22152/3/29 (1" 2)	M/P43173
ISO 2	CQM/22253/3/27 (G3/8)	CQM/22153/28 (G3/8)	CQM/22253/3/31 (G3/8)	CQM/22152/3/29 (1" 2)	M/P43174

\*1) For multipressure systems

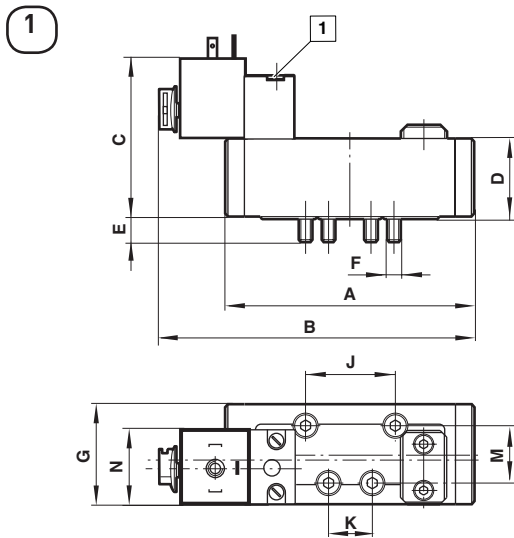
**Accessories for G- and NPT threads**

	Blanking plate for VDMA and universal sub-bases	Transition plate for VDMA sub-bases	Flow regulator sandwich plate	Silencer
	Page 8	Page 9	Page 11	Page 8
ISO 1	CQM/22152/3/23	CQM/22152/3/24 (1 to 2)	CQM/22152/3/26	0015510
ISO 2	CQM/22253/3/23	CQM/22253/3/24 (2 to 3)	CQM/22253/3/26	
ISO 3	CQM/22354/3/23	FP8570 (1 to 3)	CQM/22354/3/26	
ISO 4	CQM/22456/3/23		CQM/22456/3/26	

**Spares Kits**

Model	Description
QM/22152/3/00	Spares Kit for ISO #1 Valves (UM/22152)
QM/22253/3/00	Spares Kit for ISO #2 Valves (UM/22253)
QM/22354/3/00	Spares Kit for ISO #3 Valves (UM/22354)
QM/22456/3/00	Spares Kit for ISO #4 Valves (UM/22456)

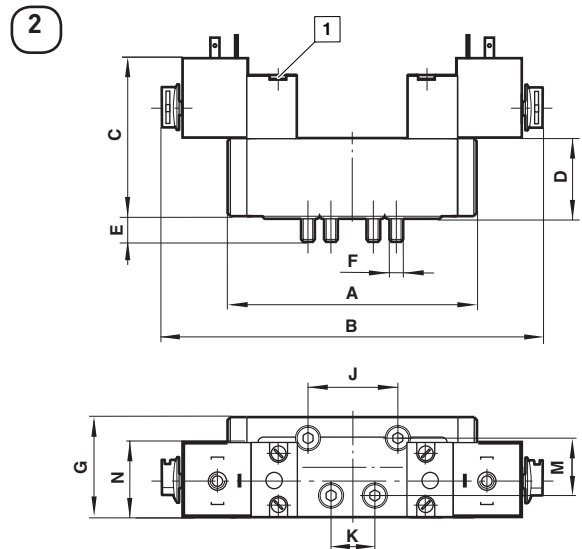
**5/2 Single solenoid valves ISO size 1**



ISO size	A	B	C	D	E	F	G	J	K	M	N*
1	107	135	70	32	9	M5	42,5	36	18	28	22 or 30

\* Illustrated with 30 mm coil

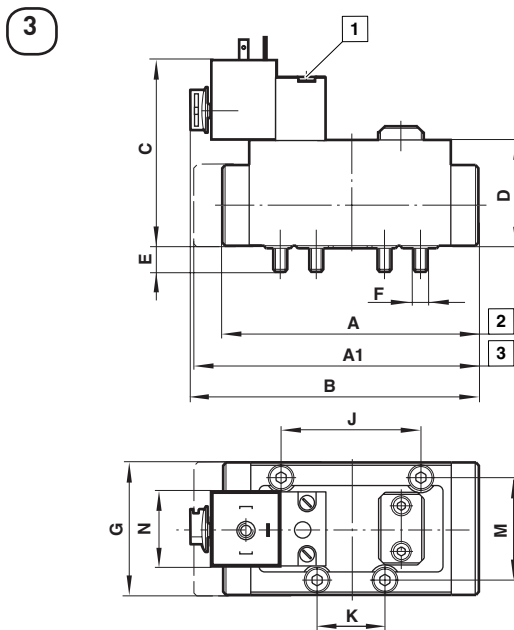
**5/2 and 5/3 Double solenoid valves ISO size 1**



ISO size	A	B	C	D	E	F	G	J	K	M	N*
1	107	168	70	32	9	M5	42,5	36	18	28	22 or 30

\* Illustrated with 30 mm coil

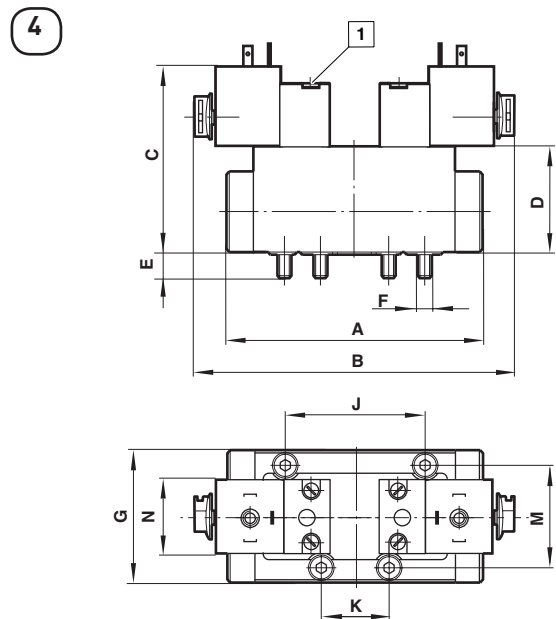
**5/2 Single solenoid valves ISO size 2, 3 and 4**



ISO size	A	A1	B	C	D	E	F	G	J	K	M	N*
2	106	124	125	83	45	9	M6	55	48	24	38	22 or 30
3	138	160	139	83	45	14	M8	68	64	32	48	22 or 30
4	177	187	152	83	45	14	M8	75	80	40	58	22 or 30

\* Illustrated with 30 mm coil

**5/2 and 5/3 Double solenoid valves ISO size 2, 3 and 4**



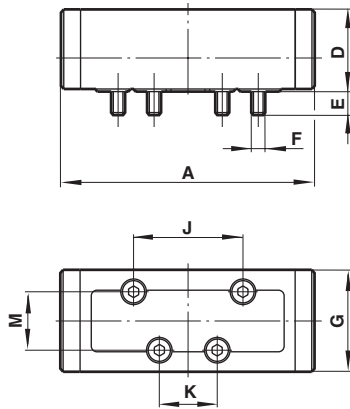
ISO size	A	B	C	D	E	F	G	J	K	M	N*
2	106	125	83	45	9	M6	55	48	24	38	22 or 30
3	138	140	83	45	14	M8	68	64	32	48	22 or 30
4	177	140	83	45	14	M8	75	80	40	58	22 or 30

\* Illustrated with 30 mm coil

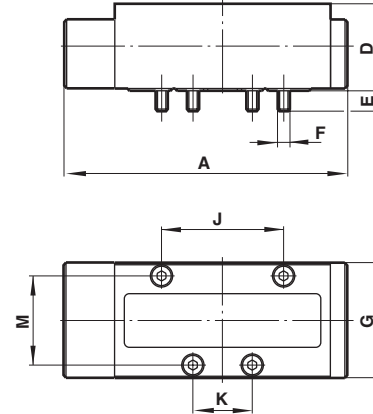
1 Manual override

2 Model .../172

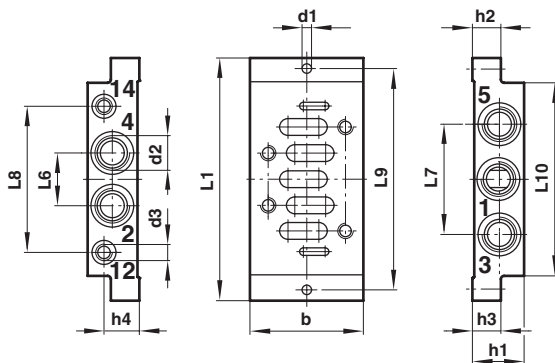
3 Model .../22, .../122

**5/2 and 5/3 Double air pilot valves ISO size 1, 2, 3 and 4**
**5**


ISO size	Model	A	D	E	F	G	J	K	M
1	All valves	107	32	9,5	M5	42,5	36	18	28
2	.../3, .../63	106	45	9	M6	55	48	24	38
3	.../3, .../63	138	45	14	M8	68	64	32	48
4	.../3, .../63	164	45	14	M8	75	80	40	58

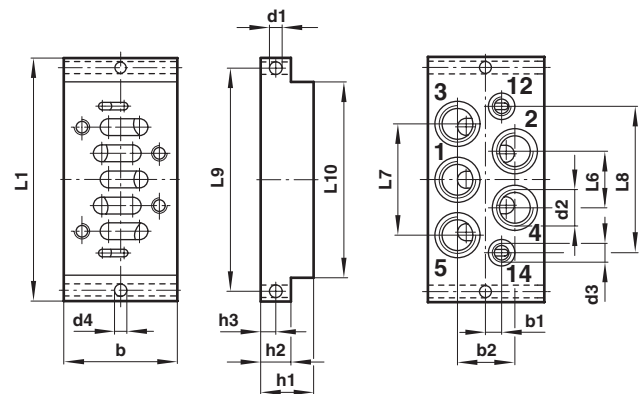
**5/2 Single air pilot valves ISO size 1, 2, 3 and 4**
**6**


ISO size	Model	A	D	E	F	G	J	K	M
2	.../40	124	45	9	M6	55	48	24	38
3	.../40	160	45	14	M8	68	64	32	48
4	.../40	187	45	14	M8	75	80	40	58

**Sub-bases and end plates**
**VDMA 24345 sub-base options**
**Single station sub-base side ported (Form A) for ISO G and NPT threads**


ISO	b	d1	d2	d3	h1	h2	h3	Model
1	48	5,5	1/4"	1/8"	32	10	10,5 (21,5)	#/P19126
2	57	6,6	3/8"	1/8"	40	13	14 (26)	#/P19132
3	71	6,6	1/2"	1/8"	32	18		#/P19138
4	85	9	G3/4	G1/8	42	19	22	M/P19144

ISO	h4	L1	L6	L7	L8	L9	L10	kg	Model
1	23,5	110	24	43	58	98	84	0,16	#/P19126
2	30	124	30	56	74	112	95	0,28	#/P19132
3	22	149	32	68	90	136	119	0,36	#/P19138
4	30	186	42	90	111	170	148		M/P19144

**Single station sub-base**
**bottom ported (Form B) for ISO G and NPT threads**


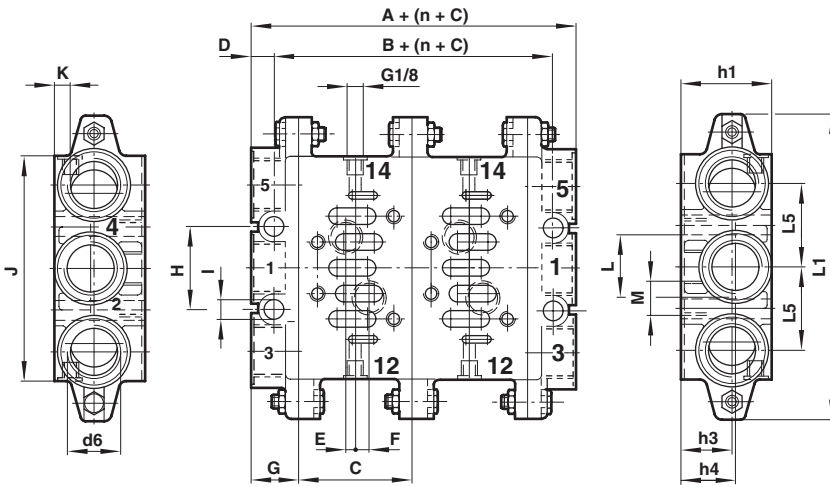
ISO	b	b1	b2	d1	d2	d3	d4	h1	Model
1	46	7	23	5,5	1/4"	1/8"	5,5	30	#/P19125
2	56	8	27	6,6	3/8"	1/8"	6,6	35	#/P19131
3	71	10	34	6,6	1/2"	1/8"	6,6	32	#/P19137
4	85	15	40	9	G3/4	G1/8	9,5	28	M/P19143

ISO	h2	h3	L1	L6	L7	L8	L9	L10	kg	Model
1	10	5	110	23	46	62	98	84	0,19	#/P19125
2	13	6,5	124	28	56	73	112	95	0,32	#/P19131
3	18	9	149	34	68	90	136	119	0,40	#/P19137
4	19	9	186	46	90	111	170	148		M/P19143

( ) Dimension for ports 3 and 5.

# Insert 'M' for ISO G parallel or 'C' for NPT threads

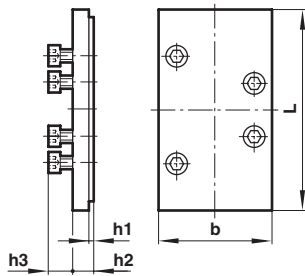
**Modular sub-bases (Form C) and end plates (Form D)  
for ISO G and NPT threads**



ISO	A	B	C	D	E	F	G	H	I	kg	Model G thread	Model NPT thread
1	44	22	43	11	1,5	7,5	22	28	7	0,24	CQM/22152/3/21	239-238B
2	52	26	56	13	5	6	26	35	9	0,36	CQM/22253/3/21	239-242B
3	60	30	71	15	6	8	30	52	12	0,72	CQM/22354/3/21	239-246B
4	60	30	82	15	8	9	30	56	12		CQM/22456/3/21	

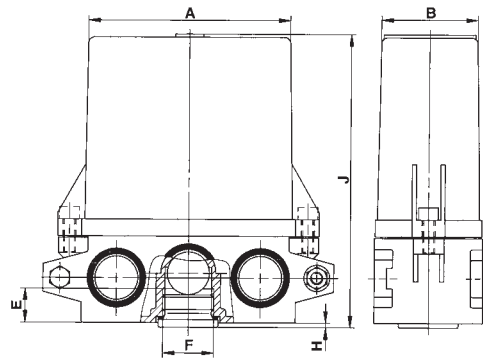
ISO	J	K	L	M	h1	h3	h4	L1	L5	d6	kg	Model	Model NPT thread
1	85	8,5	26	G1/4	46	21	24	110	28	3/8"	0,22	CQM/22152/3/22	239-289B
2	100	9	30	G3/8	47	22	24	135	28	1/2"	0,34	CQM/22253/3/22	239-291B
3	140	10	38	G1/2	56	31	34	190	52	1"	0,66	CQM/22354/3/22	239-293B
4	160	10	52	G1/2	58	30	30	215	54	1"		CQM/22456/3/22	

**Blanking plate for VDMA &  
universal sub-bases with ISO G  
and NPT threads**



ISO	b	L	h1	h2	h3	kg	Model
1	42	80	2	14	11	0,05	CQM/22152/3/23
2	55	85	2,5	12,5	13,5	0,09	CQM/22253/3/23
3	70	120	2,5	12,5	15,5	0,26	CQM/22354/3/23
4	80	145	2,5	12,5	15,5	0,09	CQM/22456/3/23

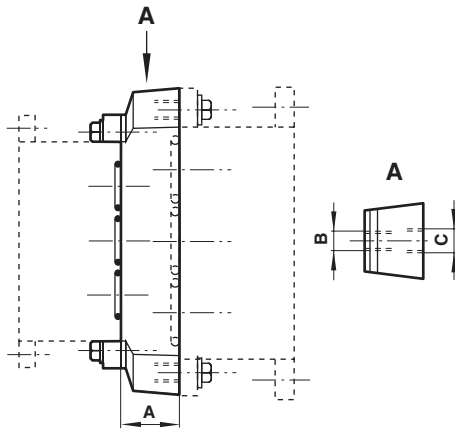
**Silencer for VDMA &  
universal sub-bases with ISO G  
and NPT threads**



ISO	A	B	E	F	H	J	Model
1	77	38	15	G3/8	2	122	0015510

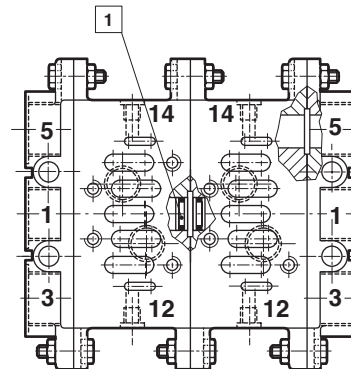


Transition plate from ISO 1 to ISO 2  
and ISO 2 to ISO 3 for VDMA sub-bases  
for ISO G and NPT threads



ISO	A	B	C	kg	Model
1 to 2	25	M5	M6	0,35	CQM/22152/3/24
2 to 3	40	M6	M8	0,65	CQM/22253/3/24
1 to 3	34	M5	M8	0,90	FP8570

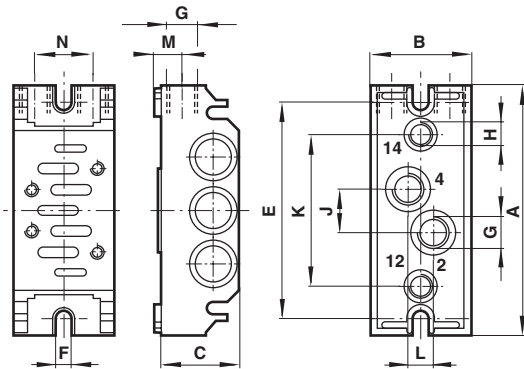
Blanking disc  
FP8382, FP8482 & FP8582 for ISO G thread  
239-251, 239-252 & 239-253 for NPT thread



**1** Blanking disc (FP.) or 239-...

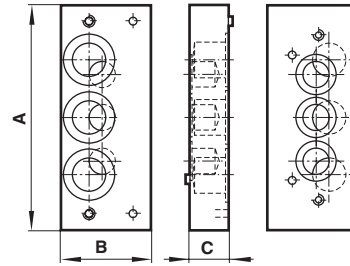
Universal sub-base options for ISO G threads only

Modular base with side, end and bottom ports open



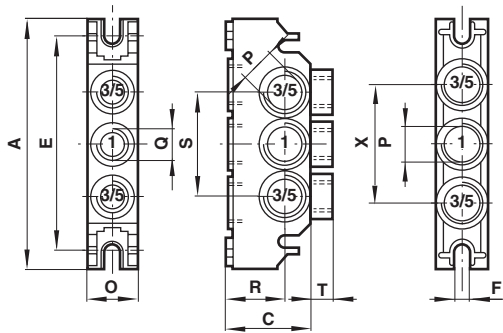
ISO	A	B	C	E	F	G	H	J	K	L	M	N	kg	Model
1	106	43	36	92	5,5	G1/4	G1/8	18	64	11	12	28	0,16	CQM/22152/3/27
2	120	56	43	102	6,5	G3/8	G1/8	24	68	19	15	38	0,35	CQM/22253/3/27

Transition plate from ISO 1 to ISO 2



ISO	A	B	C	kg	Model
1 to 2	114	46	20	0,23	CQM/22152/3/29

Universal end plate, all ports blocked

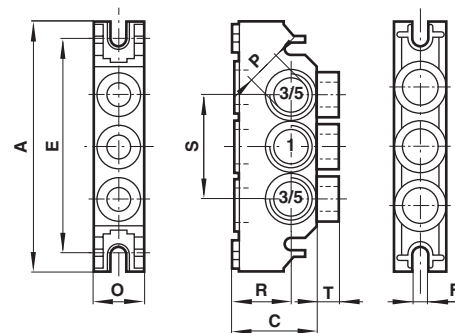


ISO	A	C	E	F	O	P	Q	R	S	T	X	kg	Model
1	106	36	92	5,5	22	G3/8	G1/4	25	44	9	50	0,13	CQM/22152/3/28
2	120	46	102	6,5	29	G1/2	G1/4	31	58	7	58	0,23	CQM/22253/3/28

Drill dimensions for opening ports

G1/4	Ø 8
G3/8	Ø 15
G1/2	Ø 15

Universal end plate, side ports open



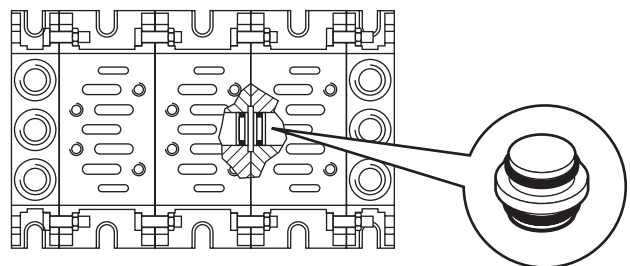
ISO	A	C	E	F	O	P	R	S	T	kg	Model
1	106	36	92	5,5	22	G3/8	25	44	9	0,13	CQM/22152/3/31
2	120	46	102	6,5	29	G1/2	31	58	7	0,23	CQM/22253/3/31

Drill dimensions for opening ports

G1/4	Ø 8
G3/8	Ø 15
G1/2	Ø 15

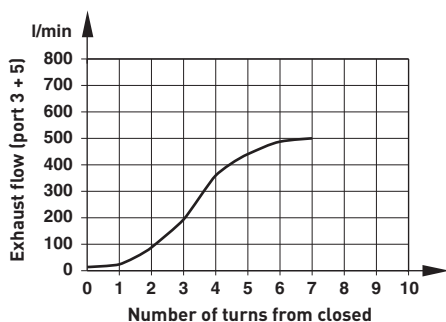
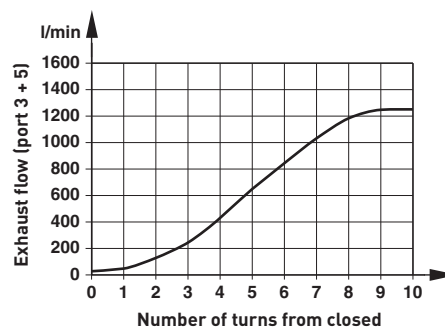
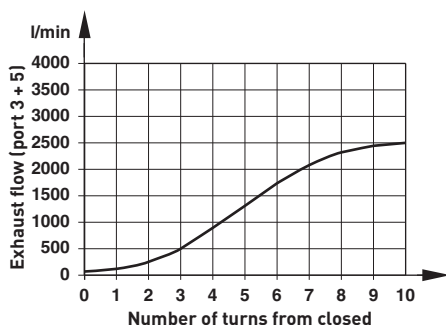
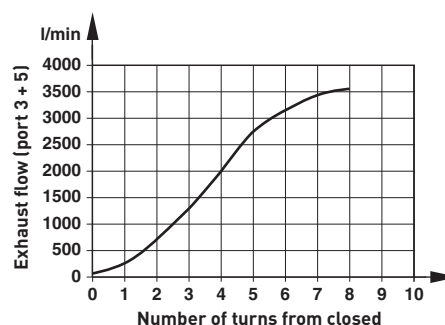
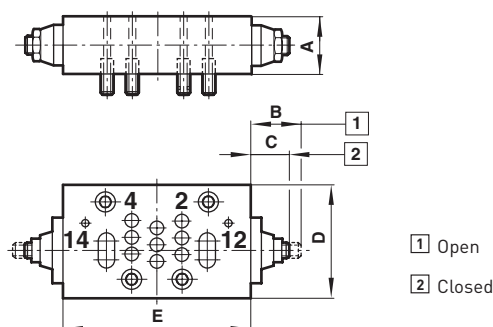
Blanking disk for ISO 1 and ISO 2 universal sub-bases

ISO	kg	Model
1	0,01	M/P43173
2	0,03	M/P43174



**Flow regulator plate**

Symbol	ISO size	Application	Operating pressure (bar)	Model
	1	Regulation of exhaust ports 3 and 5 allows easy cylinder speed control. The regulator screw can be locked with the counter nut.	-0,9 ... 16	CQM/22152/3/26
	2			CQM/22253/3/26
	3			CQM/22354/3/26
	4			CQM/22456/3/26

**Flow characteristics (at 6 bar inlet pressure, 1 bar pressure drop)  
 Flow port 1 » 2 and port 1 » 4 remains unchanged!**
**ISO 1**

**ISO 2**

**ISO 3**

**ISO 4**

**Dimensions**


ISO	A	B	C	D	E	kg	Model
1	15	18	12	38	90	0,20	CQM/22152/3/26
2	18	21,5	15	51	104	0,35	CQM/22253/3/26
3	24	29	18,5	63,5	141	0,86	CQM/22354/3/26
4	24	31	19	76	173	1,10	CQM/22456/3/26

**Warning**

These products are intended for use in industrial compressed air systems only. Do not use these products where pressures and temperatures can exceed those listed under »**Technical features**«.

Before using these products with fluids other than those specified, for non-industrial applications, life-support systems, or other applications not within published specifications, consult NORGREN.

Through misuse, age, or malfunction, components used in fluid power systems can fail in various modes.

The system designer is warned to consider the failure modes of all component parts used in fluid power systems and to provide adequate safeguards to prevent personal injury or damage to equipment in the event of such failure.

System designers must provide a warning to end users in the system instructional manual if protection against a failure mode cannot be adequately provided.

System designers and end users are cautioned to review specific warnings found in instruction sheets packed and shipped with these products.